



# REAL BLUE VISIBILITY IS REAL SAFETY

Suitable for heavy duty applications:



Forklift



Truck &  
Trailer



Material  
Handling



Logistics &  
Warehouse

## Advanced vehicle warning light systems for industrial, commercial and warehousing machinery

**Real Blue** visual warning systems help minimise the risk of accidents by alerting pedestrians to the presence of approaching machinery.

A coloured, concentrated light beam displays a large, highly visible square on the floor, in front of or behind the machine to

warn pedestrians and enable them to take avoiding action. In loud, noisy workplaces, 'seeing him before he sees you' is the most effective way to reduce operational incidents involving forklifts and other machinery.

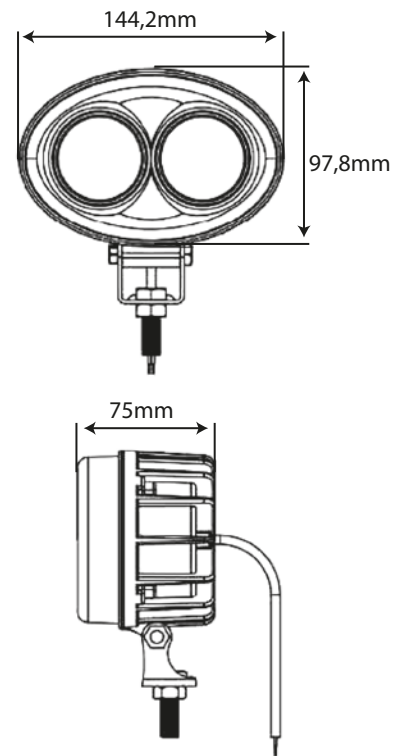
## Get the real solution for enhanced workplace safety

### 144,2mm Forklift Safety LED light WD-2L06

- 3W Cree LED – configured for 9-80V DC
- Rugged rust- and corrosion-proof aluminium housing
- UV-resistant polycarbonate lens
- Available in black finish
- Shock-proof and vibration-proof



ITEM	WD-2L06B
APPEARANCE	BLACK/ CHROME
LED	3W CREE LED
WATTAGE	6W
LIGHT OUTPUT	400LM
VOLTAGE	9-80V DC
LENS	PC LENS
IP RATE	IP68
OPERATING TEMPERATURE	-40°C-85°C
HOUSING	ALUMINUM
BRACKET	STAINLESS STEEL
VIBRATION	15GRMS 24-2000HZ
SHOCK	60G
LIFESPAN	30,00HRS



## 1 Year Warranty

All manufacturing defects, including material and workmanship are covered for 1 year from the date of purchase. This includes the aluminium mount, laser module, RF PCB, and plastic components (back brackets, laser bracket, end brackets/caps).

For more information or to order contact us at [sales@realtelematics.co.za](mailto:sales@realtelematics.co.za)

### Head Office

Tel: 086 100 0342 • Int. Tel: +27 31 702 2368 • Fax: 086 555 2740 • Int. Fax: +27 31 701 9245

Unit 8, Wareing Park, 2 Wareing Rd, Pinetown, 3600 • P.O. Box 1564, Pinetown, 3600, KZN, South Africa

[www.realtelematics.com](http://www.realtelematics.com)

